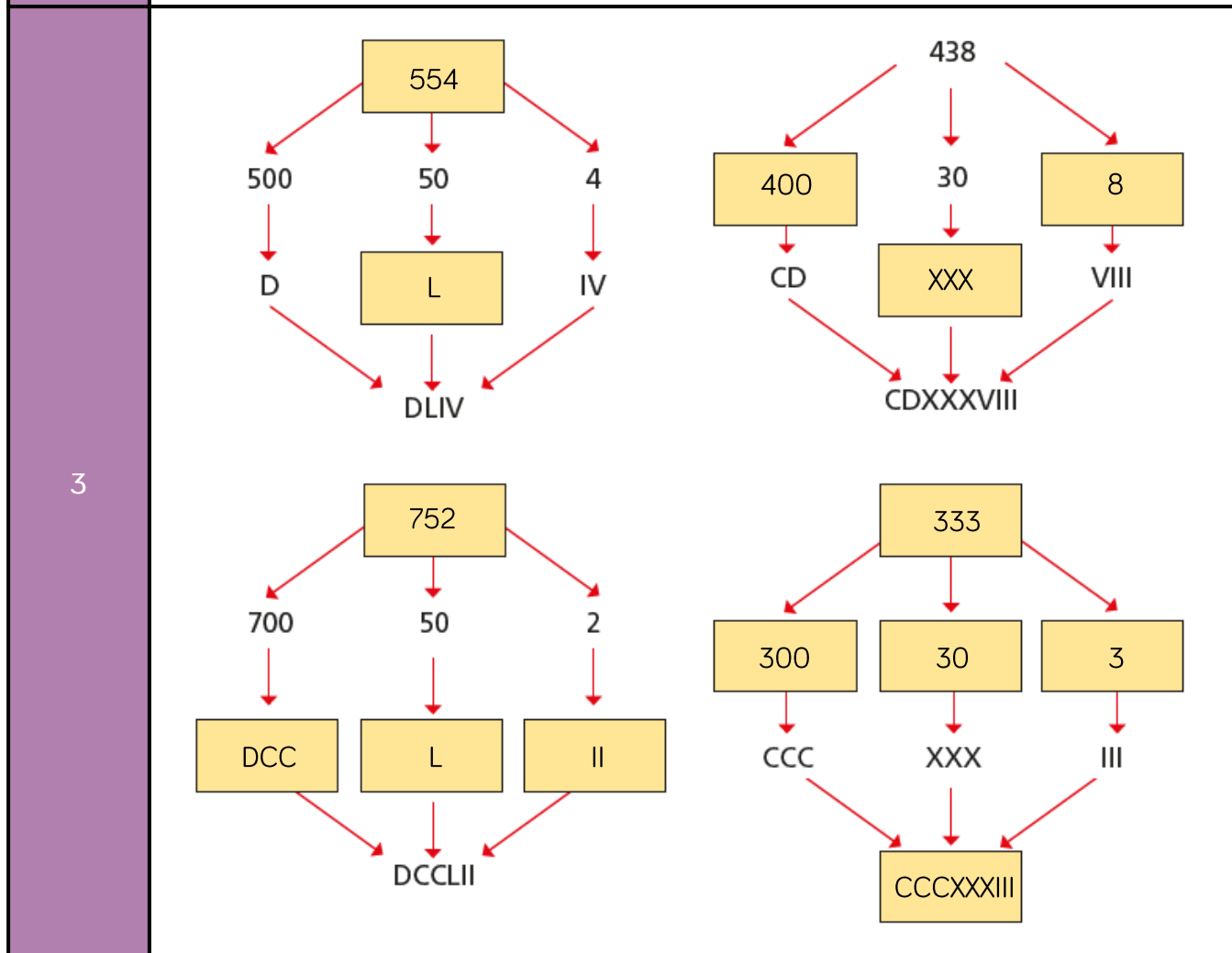


Question	Answer									
1	10	20	30	40	50	60	70	80	90	100
	X	XX	XXX	XL	L	LX	LXX	LXXX	XC	C
	100	200	300	400	500	600	700	800	900	1000
	C	CC	CCC	CD	D	DC	DCC	DCCC	CM	M

2 2012



4 a) Amir is correct
 b) Dora has written VC directly from 'five hundred' i.e. V = 5 and C = 100
 However, five hundred has its own roman numeral, D

5 Fifty-two, LII
 635, DCXXXV
 991, nine hundred and ninety-one
 407, CDVII
 839, eight hundred and thirty-nine

Question	Answer
6	<p> $XXVII + III$ $CDLXX$ $D - XXX$ DC $M \div D$ $CCCL$ $DCCC - CC$ XXX $L \times VII$ II </p>
7	<p> V, X, <input type="text" value="XV"/>, XX, <input type="text" value="XXV"/>, XXX, <input type="text" value="XXXV"/>, <input type="text" value="XL"/> </p> <p> C, CL, <input type="text" value="CC"/>, CCL, CCC, <input type="text" value="CCCL"/>, <input type="text" value="CD"/>, <input type="text" value="CDL"/> </p> <p> X, XX, XXX, <input type="text" value="XL"/>, <input type="text" value="L"/>, LX, <input type="text" value="LXX"/>, <input type="text" value="LXXX"/> </p> <p> III, <input type="text" value="VI"/>, IX, <input type="text" value="XII"/>, XV, XVIII, <input type="text" value="XXI"/>, <input type="text" value="XXIV"/> </p>
8	<p> a) May b) 1986 c) This will vary depending on the date the question is used. </p>